

		MS 8314-06	
ISSUED BY:	DHAHRAN MATERIALS & LOGISTICS DEPARTMENT TRAFFIC DIVISION	ISSUE DATE 05-2005	REPLACES 02-05
SUBJECT:	SAUDI ARAMCO PACKING SPECIFICATIONS	APPROVAL	PAGE NUMBER 1 OF 3

**FPART II
SKID PACKING SPECIFICATION**

REQUIREMENTS: These requirements are in addition to any that may be in the material descriptions or other Saudi Aramco specifications, including Saudi Aramco Packing Specification 8314-02, which should be used in combination with this specification. Deviation from these requirements is not allowed without the Buyer's prior written approval.

1. Skid Design:

The attached figure shows suggested skid designs which fulfill Saudi Aramco's requirements. Other skid designs which offer equal, or better, protection may be used with the Buyer's written approval. When selecting a design, considerations should be given to the possible deformation of the skid and load during lifting.

2. Construction:

2.1 Lumber must be new, sound, and well-seasoned with a moisture content between 12 and 20%. Knots must be sound and not in excess of 1/3 of the width of the board and must not cause any nailing interference.

Lumber sizes indicated are nominal and must be considered as a minimum.

Where a range is indicated, the lumber dimensions will depend on the weight and type of materials to be packed. Vendor is to ensure that the lumber dimensions selected are adequate for the weight and type of materials.

2.2 Metal strapping must be unannealed steel, minimum 30 x 0.75 mm, applied with a stretching tool and secured with joints as strong as the strapping. No sharp edges are to be left exposed.

2.3 Fasteners must be twisted or spirally grooved nails, of adequate size and quantity. Bolt connections are required when point loads might result in distortion of the skid during lifting by slings.

3. Layout:

3.1 Articles must be nested or packed firmly in minimal space.

3.2 All items are to be secured to the skid. Where bolts are practical, heavy items should be bolted to the skids through the platform.

3.3 No overhang is allowed.

4. Additional Protection:

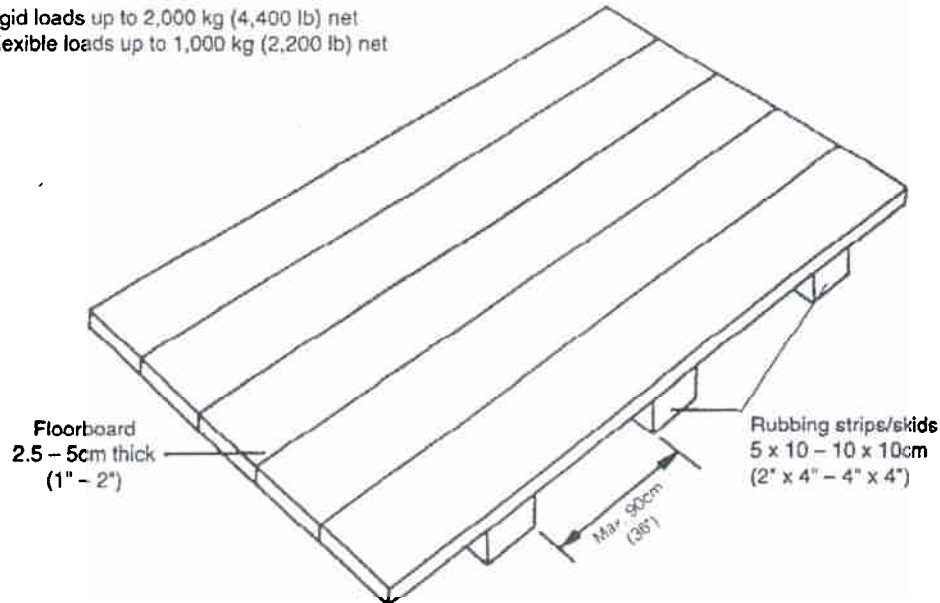
Where strapping, top loading, or the use of slings could damage the material, the upper surfaces should be protected by corner pieces or a top frame.

5. Dimensions:

If the pack dimensions exceed 12-m length, 2.5-m width, or 3.45-m height, the Buyer must be notified.

SKID TYPE 1*

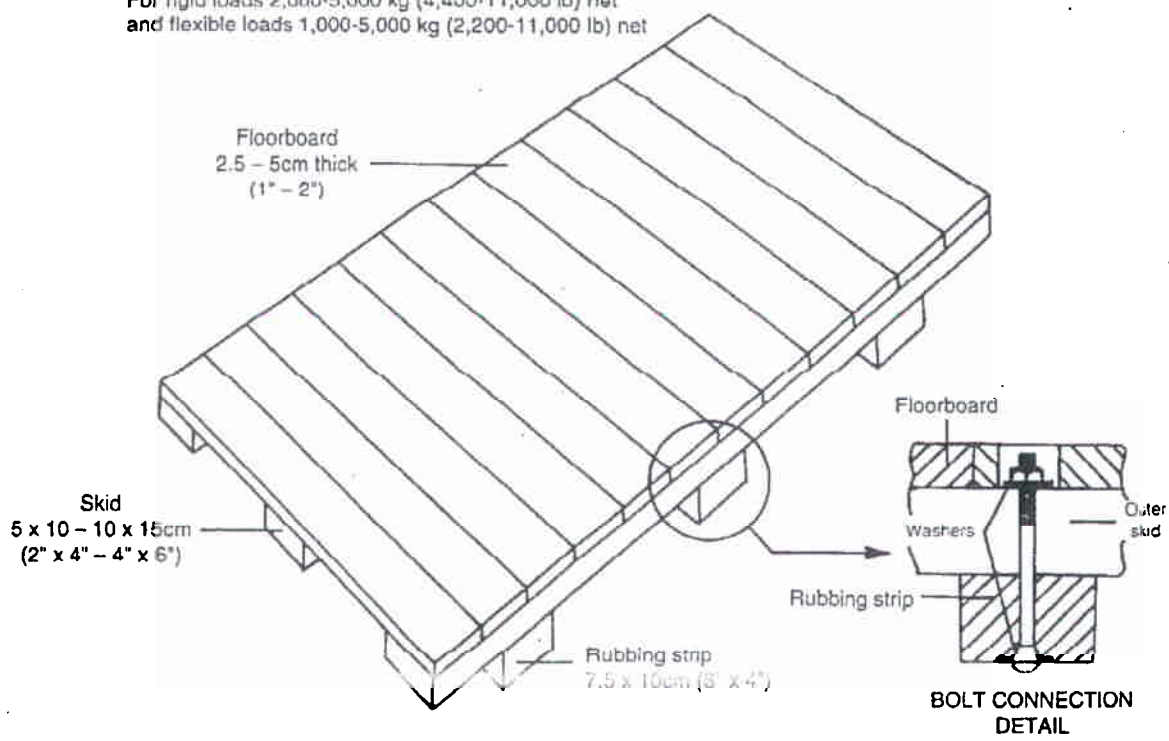
For rigid loads up to 2,000 kg (4,400 lb) net
and flexible loads up to 1,000 kg (2,200 lb) net



* Skids should be positioned so that weight is distributed equally.

SKID TYPE 2

For rigid loads 2,000-5,000 kg (4,400-11,000 lb) net
and flexible loads 1,000-5,000 kg (2,200-11,000 lb) net



Note: For weights over 5,000 kg (11,000 lb), skid design to be approved by the Buyer.